

8

7

6

5

4

3

2

1

REVISIONS:

- 01/18/2016: CREATE SCHEMATIC BASE ON "REB1_SCHEMATIC 01142016.PDF".
- 01/22/2016: CHANGED THE SCHEMATIC FOLLOWING ECO ON 01/21/2016.

REV B

- 02/12/2016: CHANGED THE XTAL FROM PTH TO SMT FOOTPRINT, CORRECTED POTENTIOMETER'S PINS
- 03/01/2016: CONNECTED U12 PIN #9 TO VCC_SYS.
- 04/13/2016: NOTED "NOT POPULATED" TO U13.



TITLE:
 DEVICE: VA108XX
 PACKAGE: LQFP 128 PINS
 TESTER: HAND TEST

THIS DRAWING CONTAINS PROPRIETARY INFORMATION, AND SHALL NOT BE USED, REPRODUCED, OR DISCLOSED TO THIRD PARTIES WITHOUT WRITTEN AUTHORIZATION FROM TEST SPECTRUM INC.	SIZE B	DRAWING NO. REB1_APPS	REV B
	Wed Apr 13 12:00:23 2016		SHEET 1 OF 4

8

7

6

5

4

3

2

1

D

D

C

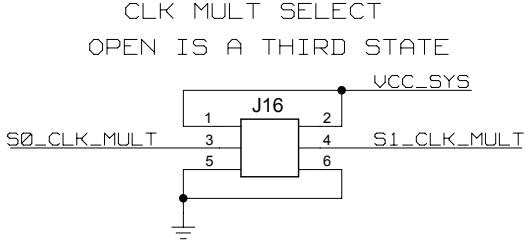
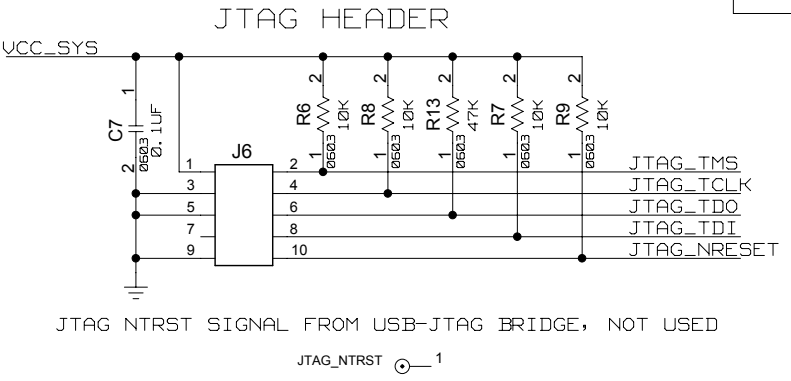
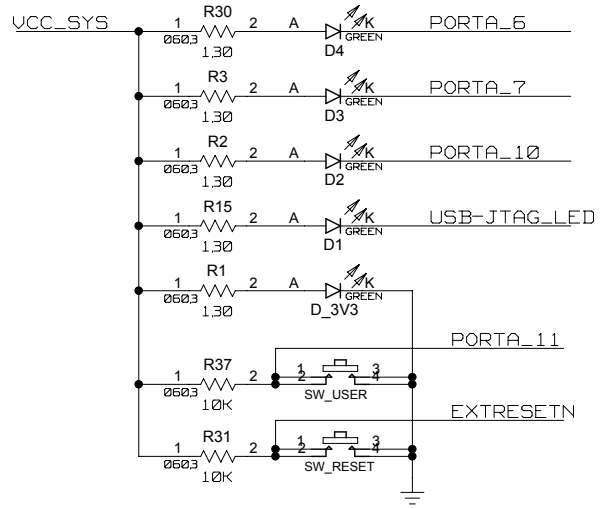
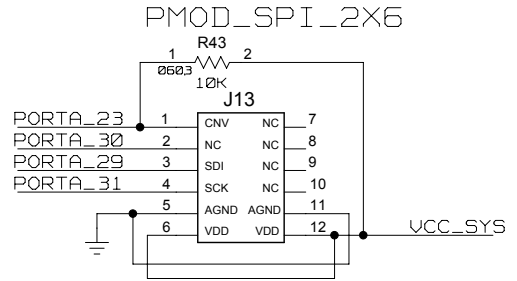
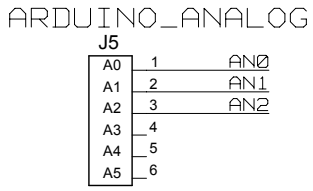
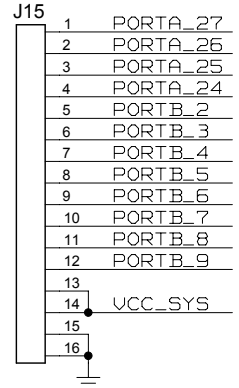
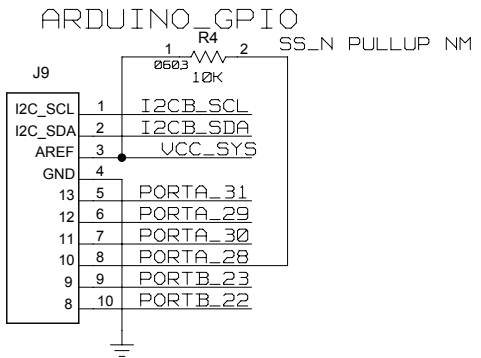
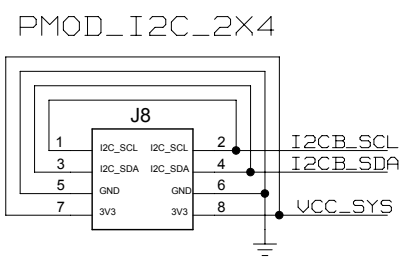
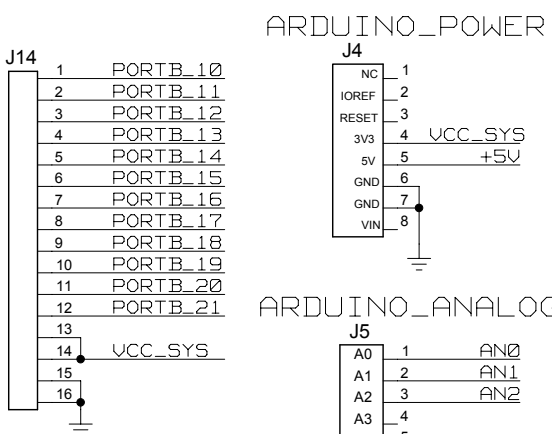
C

B

B

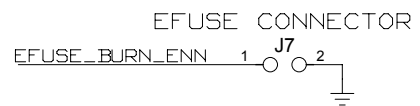
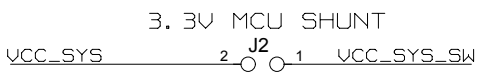
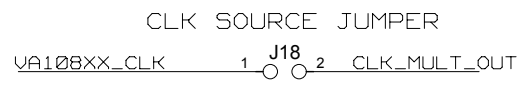
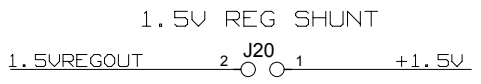
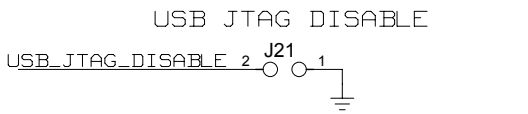
A

A



JTAG NTRST SIGNAL FROM USB-JTAG BRIDGE, NOT USED

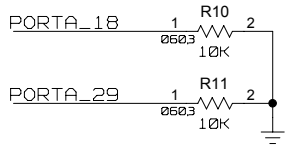
JTAG_NTRST 1



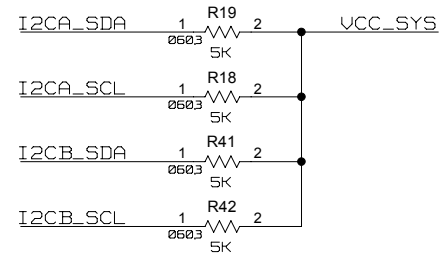
CONNECTORS ON TOP

SIZE B	DRAWING NO. REB1_APPS	REV B
Wed Apr 13 11:29:48 2016		SHEET 2 OF 4

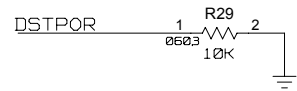
VA108XX_SPI_MISO_PULLDOWNS



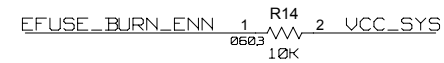
VA108XX_I2C_PULLUPS



VA108XX_PULLDOWNS

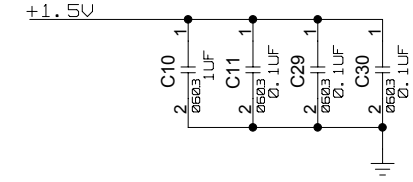
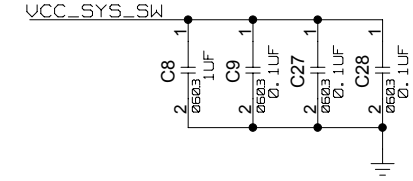
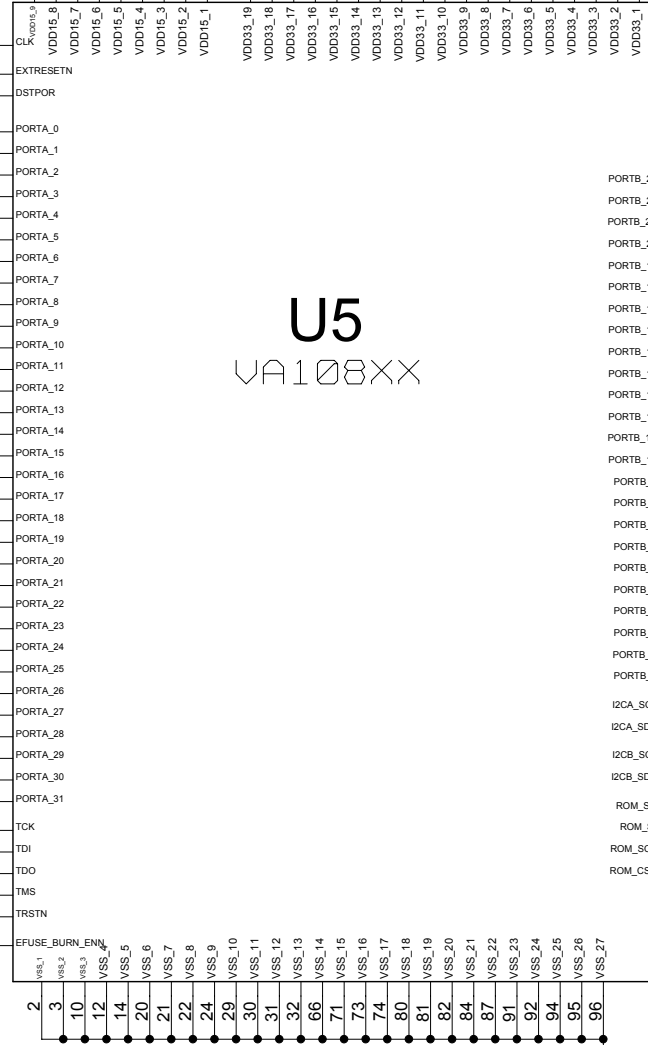


VA108XX_PULLUPS

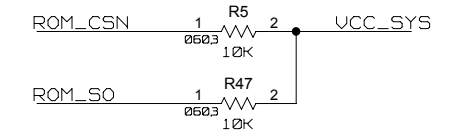


+1.5V UCC_SYS_SW

VA108XX_CLK	13
EXTRESETN	79
DSTPOR	11
PORTA_0	90
PORTA_1	93
PORTA_2	104
PORTA_3	105
PORTA_4	106
PORTA_5	107
PORTA_6	109
PORTA_7	111
PORTA_8	112
PORTA_9	113
PORTA_10	115
PORTA_11	116
PORTA_12	117
PORTA_13	118
PORTA_14	120
PORTA_15	122
PORTA_16	123
PORTA_17	124
PORTA_18	126
PORTA_19	15
PORTA_20	17
PORTA_21	19
PORTA_22	23
PORTA_23	25
PORTA_24	38
PORTA_25	40
PORTA_26	41
PORTA_27	42
PORTA_28	43
PORTA_29	45
PORTA_30	47
PORTA_31	48
JTAG_TCLK	6
JTAG_TDI	9
JTAG_TDO	5
JTAG_TMS	7
JTAG_NRESET	8
EFUSE_BURN_ENN	28

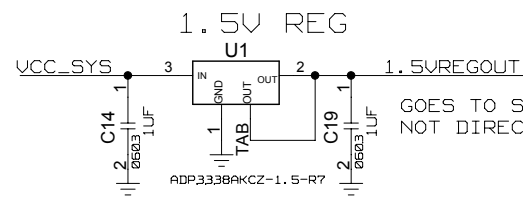
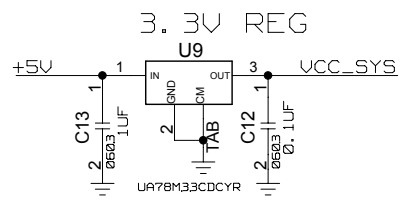


VA108XX_ROM_SPI_PULLUPS



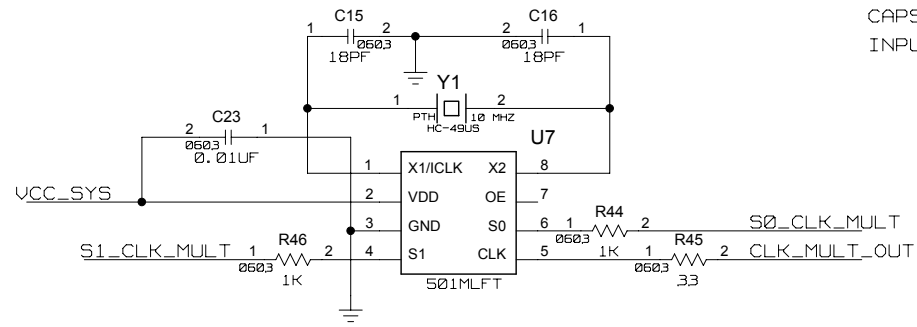
VA108XX

SIZE B	DRAWING NO. REB1_APPS	REV B
Fri Mar 04 22:40:55 2016		SHEET 3 OF 4

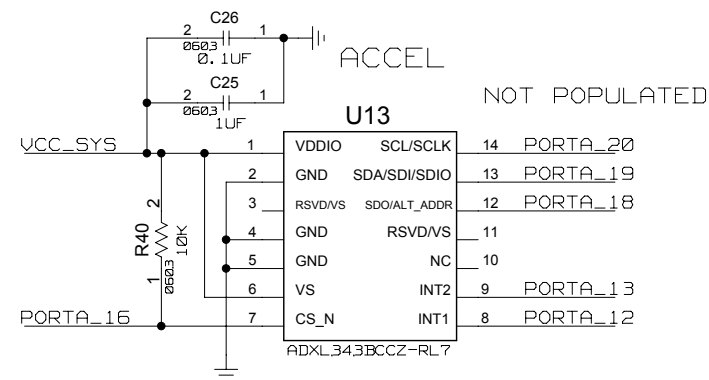
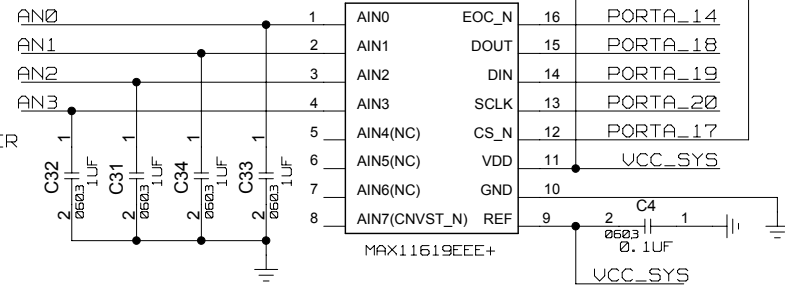


GOES TO SHUNT JUMPER, NOT DIRECTLY TO MCU

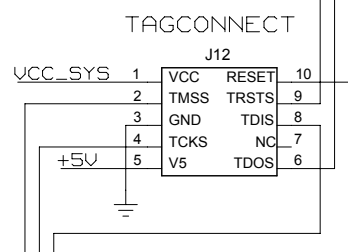
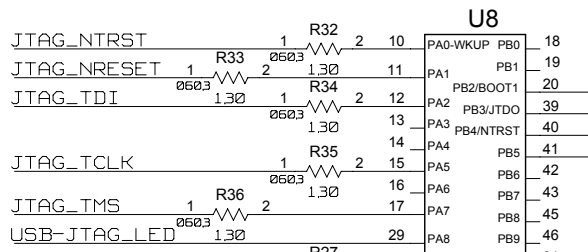
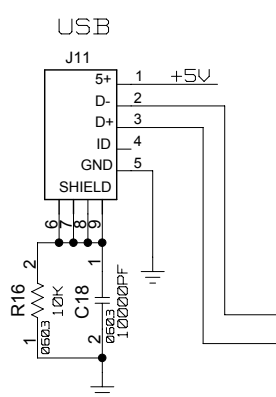
CLK MULTIPLIER



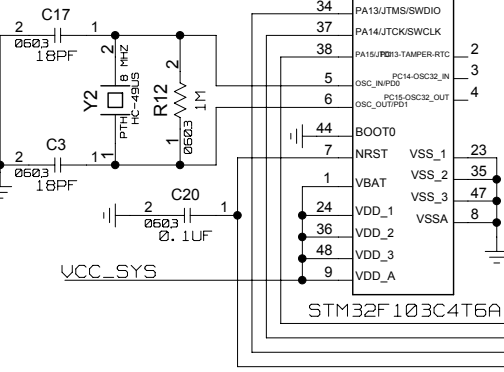
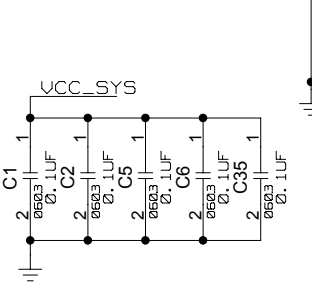
CAPS IMP ACCURACY ON HIGHER INPUT Z, OPTIONAL/4N



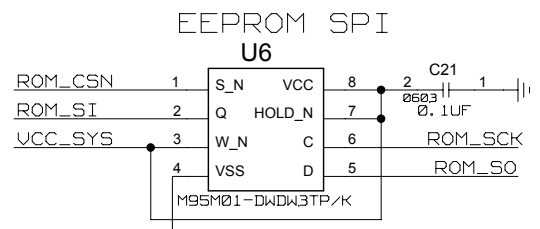
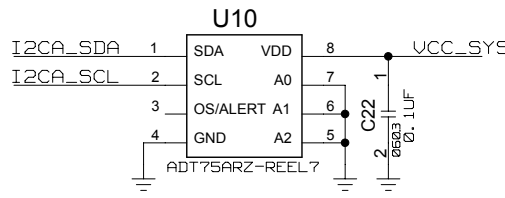
NOT POPULATED



OSC CAP/LOAD RES VARY WITH LAYOUT



I2C TEMP SENSOR 0B1001XXX = 0B1001000



SIZE	DRAWING NO.	REV
B	REB1_APPS	B
Wed Apr 13 11:59:35 2016		SHEET 4 OF 4

SUPPORT